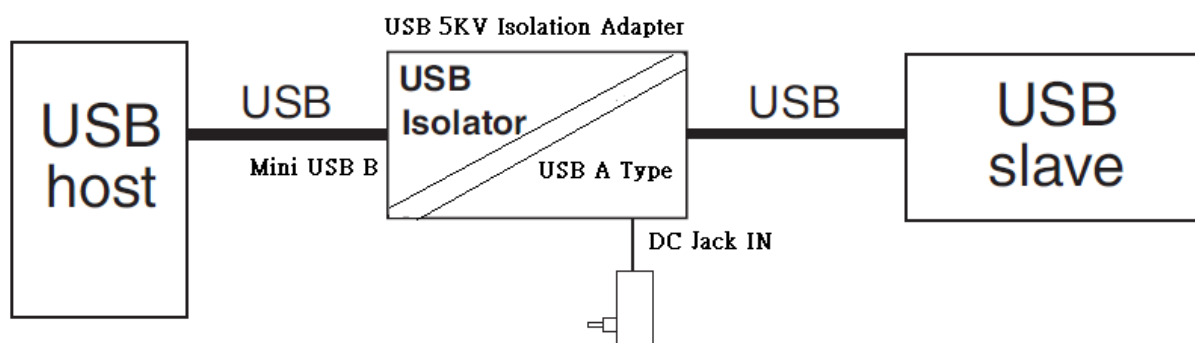


## USB 5KV Isolation Adapter



### Application

- Automated Teller Machine(ATM)
- Point of Sale(POS)
- Automated Retail Kiosks
- Embedded System
- Payment System
- Traffic System
- Factory Automation and Process Control
- Building Automation
- Healthcare System
- Remote Access Servers
- Storage Network Management
- Medical Applications
- Laptop and Industrial PC Peripheral Devices
- General purpose RS-232 Data Link
- RS-422/485 Communication
- Utility meters
- Industrial controlled Local Area Network

### Features and Benefit

- USB 1.0/1.1 compliant, USB 2.0 Full Speed compatible
- Communication status can be monitored through LED
- Supports Industrial Specification
- No Driver Needs

### Switch Settings:

Switch1 ON and Switch 2, 3, and 4 OFF – Low Speed USB Devices

Switch 1 OFF and Switch 2, 3, and 4 OFF – Full Speed USB Devices

### LED

To Host – “Power” – when connect to USB host, the Power LED will light up.

To Device – “Device Power” – when connect to DC Power Adapter, the Device Side LED will light up. If there is no light, please check your DC Power Adapter (this product supports 9V – 30V Power Input).